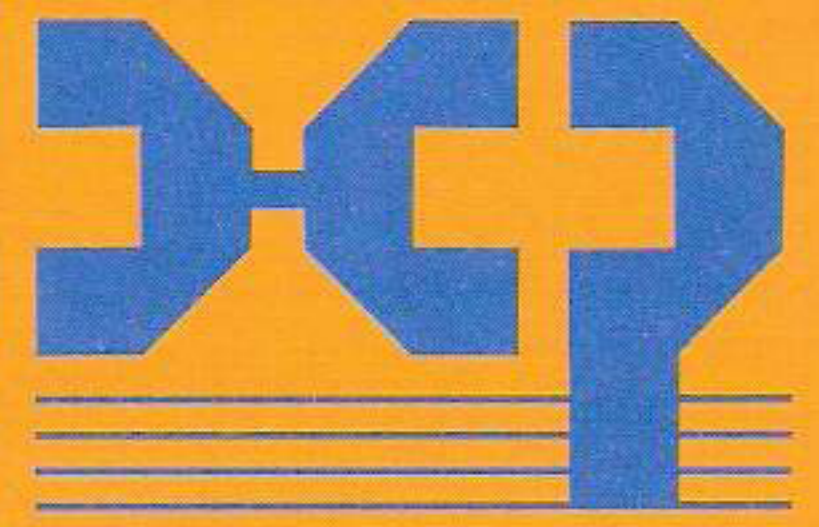
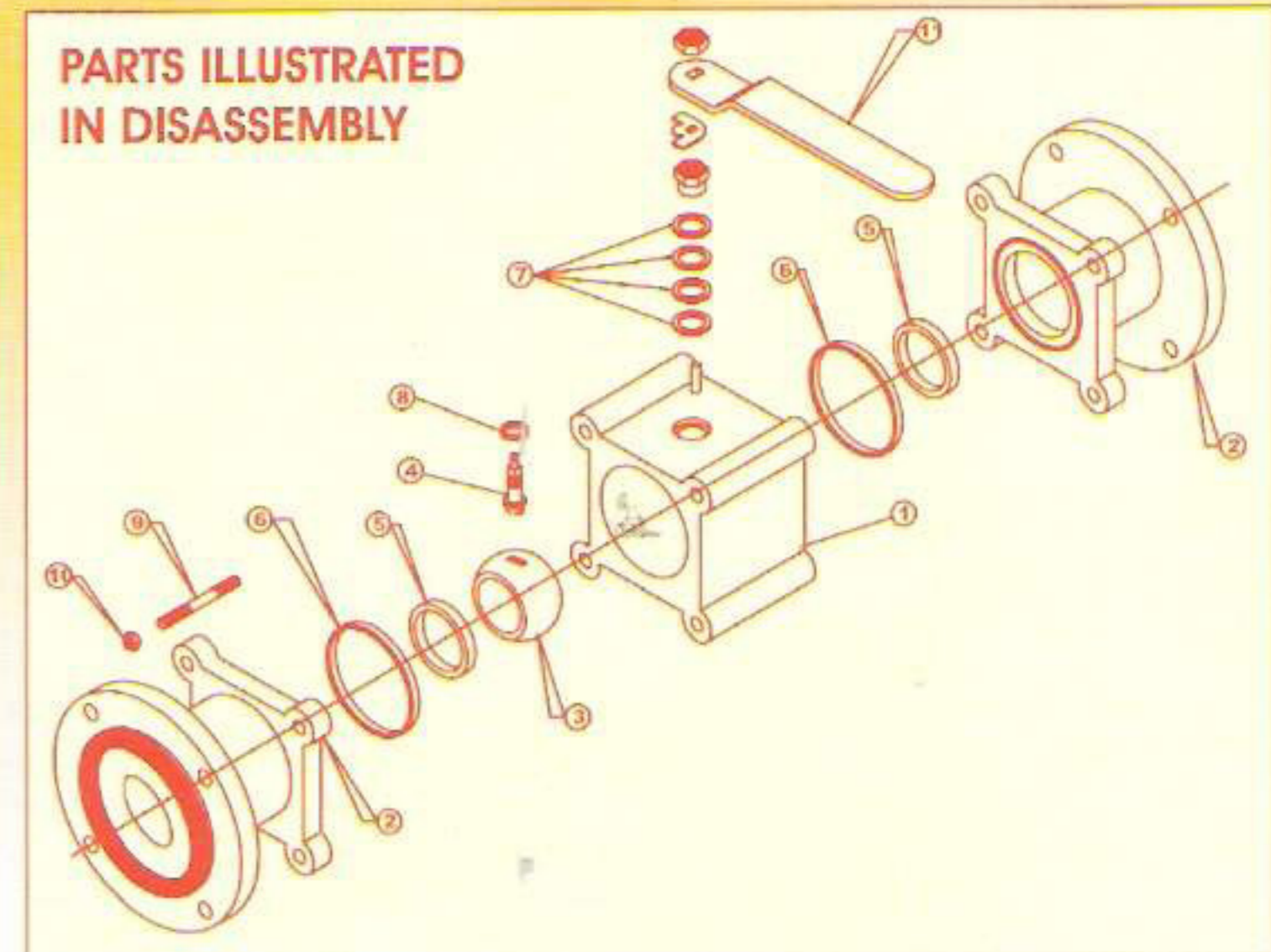
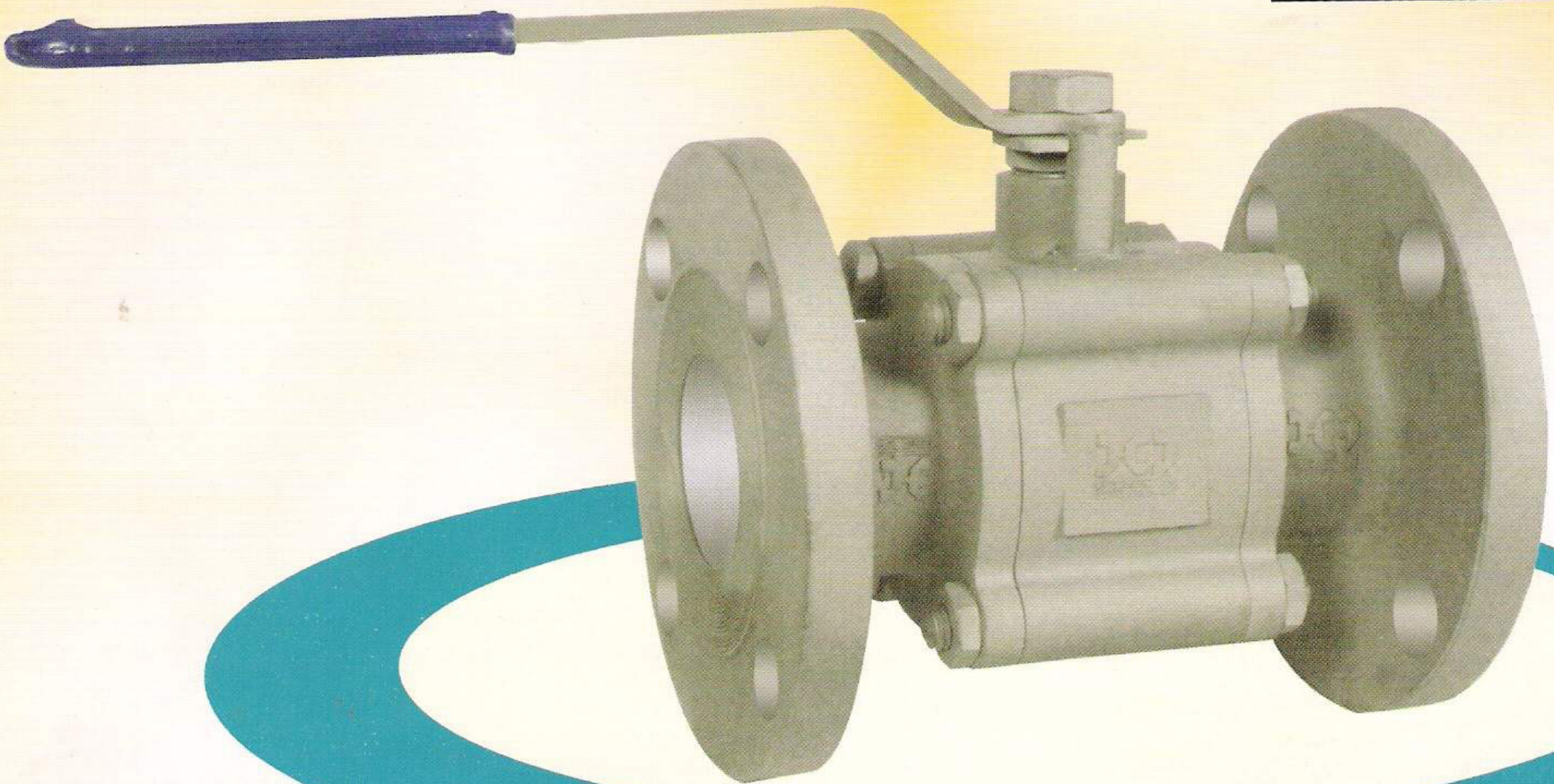


# BALL VALVE



## INVESTMENT CASTING CF8/CF8M/WCB. BALL VALVES

SAVE ENERGY  
"O" LEAK VALVE

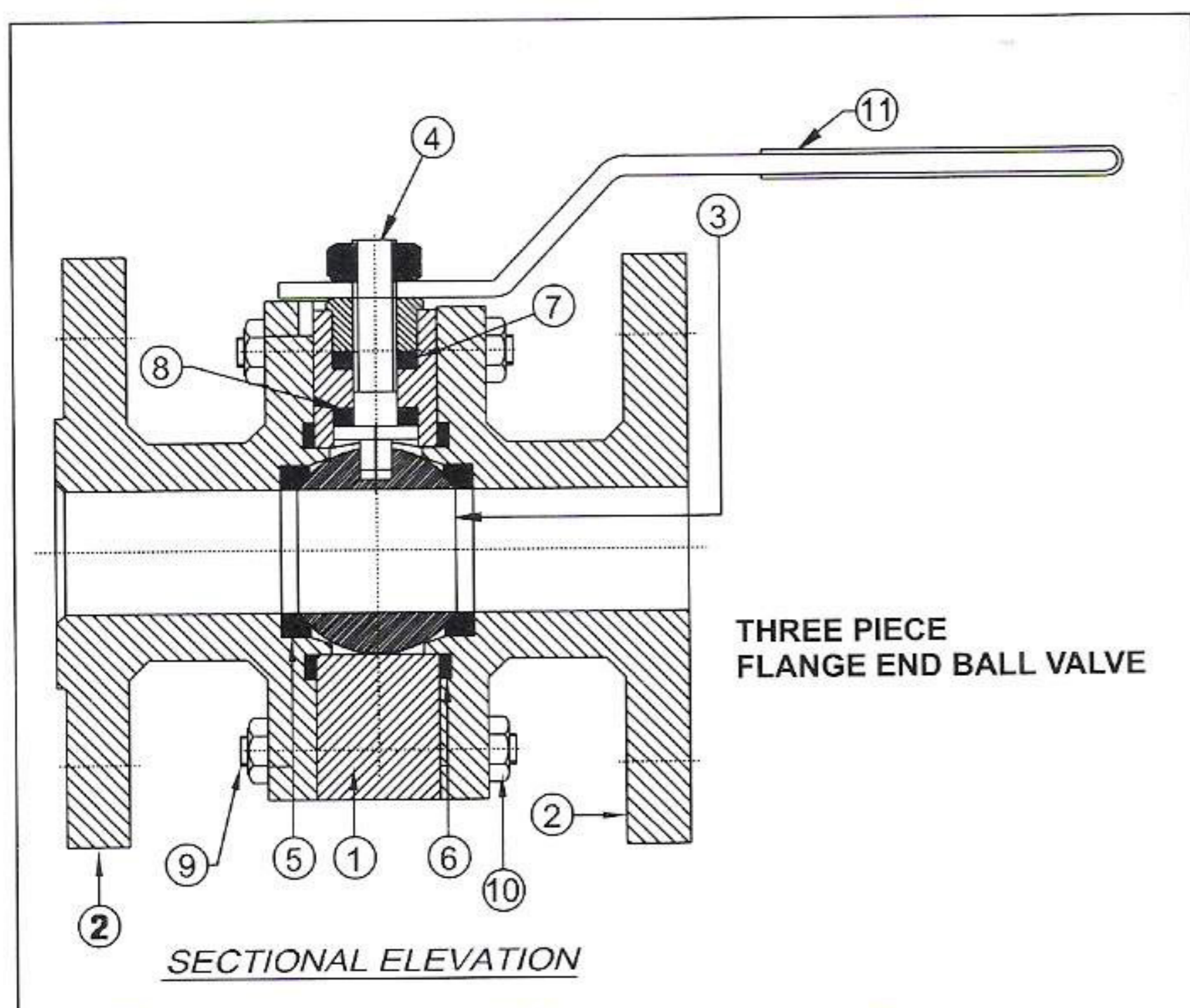


**H.P. Valves Mfg. Co.**  
Ahmedabad, India.

# BALL VALVE



DESIGN : API 6D / BS 5351

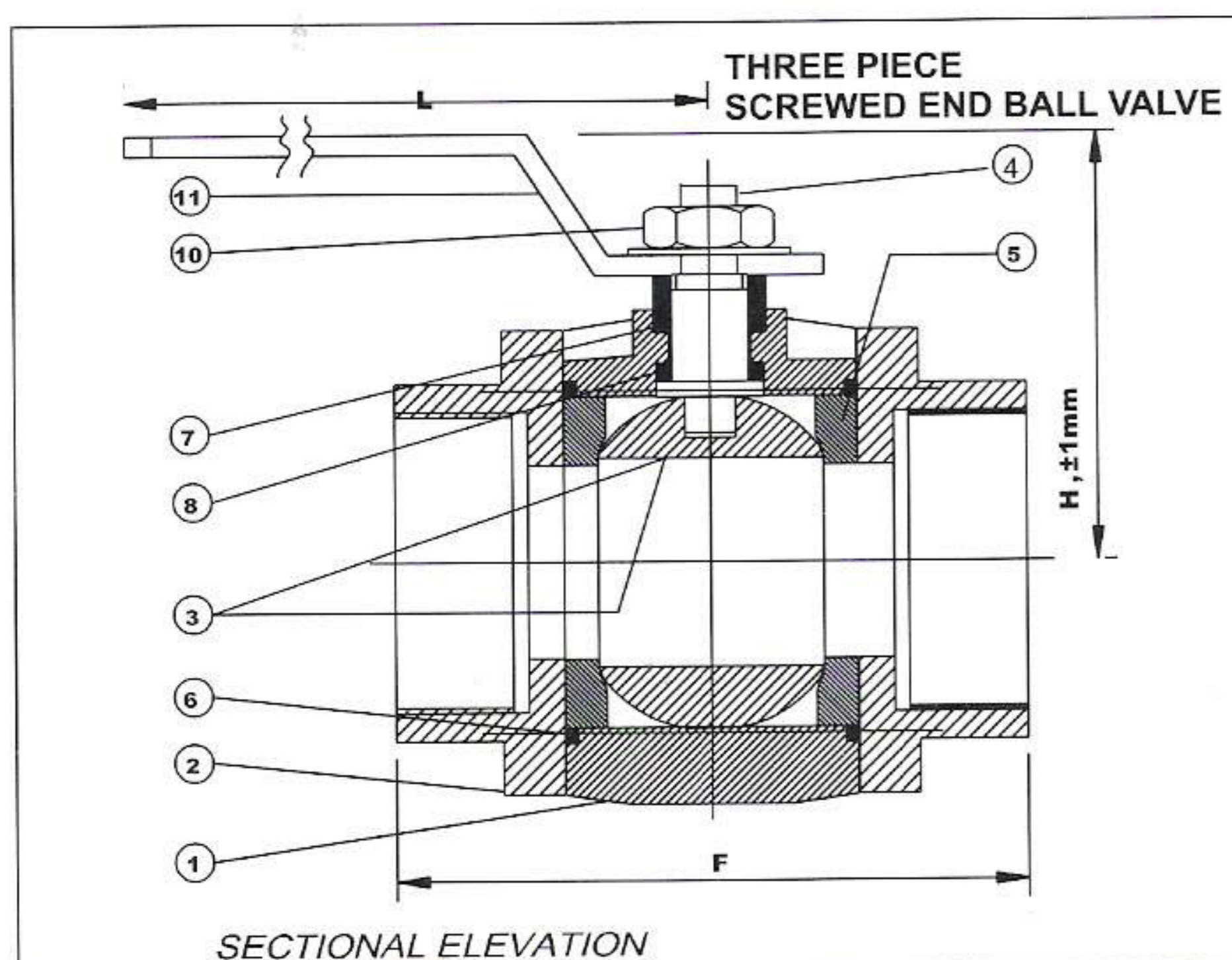


## DESIGN FEATURES

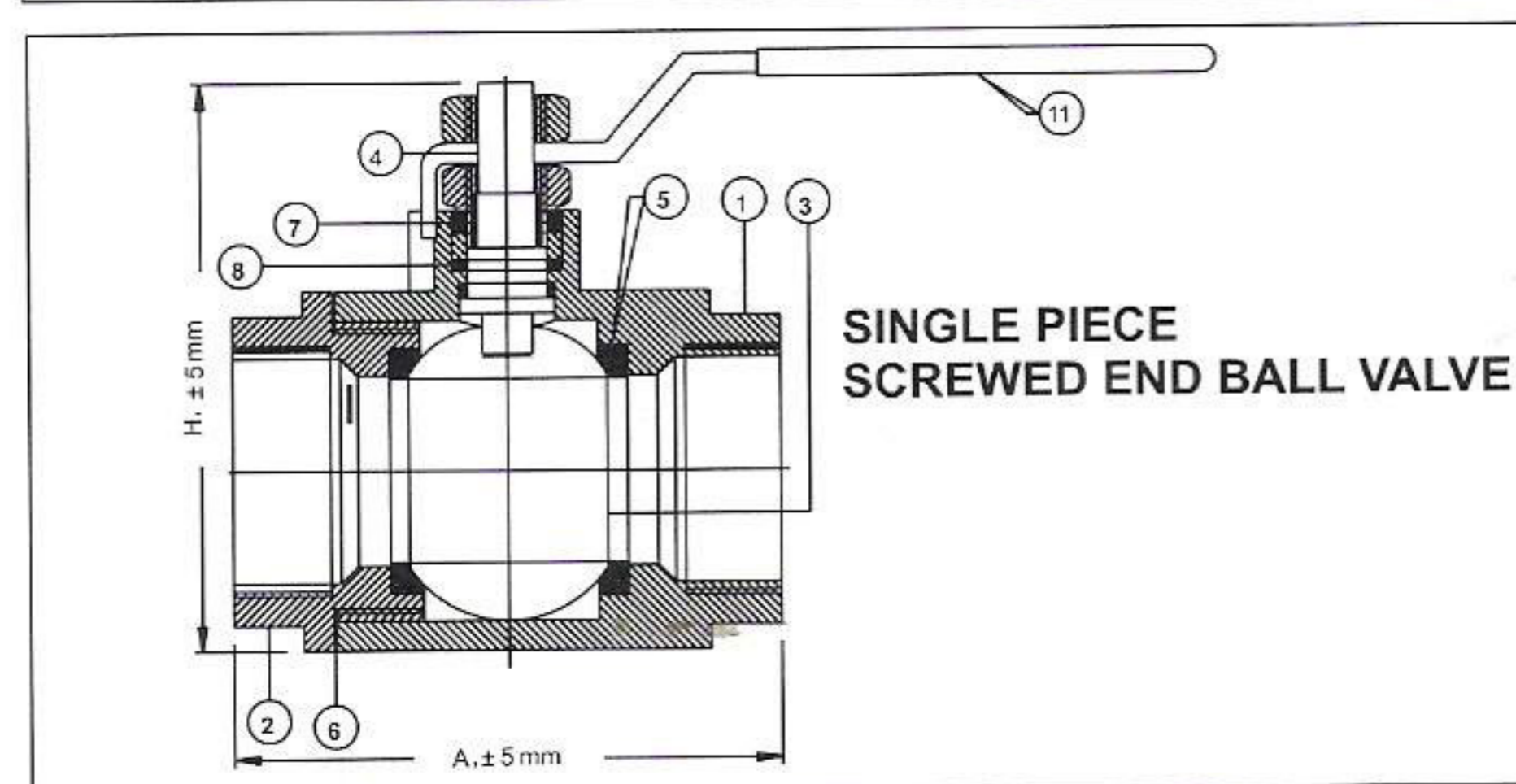
- ☞ FACE TO FACE AS PER ANSI B 16.10
- ☞ ENDS FLANGED & DRILLED AS PER ANSI B 16.5 R.F.
- ☞ TESTED AS PER BS : 5146 / 6577
- ☞ END CONNECTION : SCREWED END TO BSP / BSPT / NPT / (F) THDS . S/W TO ANSI B 16.11

## MATERIALS OF CONSTRUCTION

SR NO.	PARTS	SS 316	SS 304	CAST STEEL	CAST IRON
1	BODY	ASTM A351	ASTM A351	ASTM A216	ASTM A126
2	SIDE PIECE	GR CF 8M	GR CF 8	GR WCB	CLASS B
3	BALL	ASTM A351 GR CF 8M	ASTM A351 GR CF 8	ASTM A351 GR CF 8	ASTM A351 GR CF 8
4	STEM	SS 316	SS 304	SS 304	SS 304
5	SEAT	PTFE	PTFE	PTFE	PTFE
6	BODY SEAL	PTFE	PTFE	PTFE	PTFE
7	GLAND PACKING	PTFE	PTFE	PTFE	PTFE
8	BACK SEAL	PTFE	PTFE	PTFE	PTFE
9	STUDS	ASTM A193 GR B7	ASTM A193 GR B7	ASTM A193 GR B7	ASTM A193 GR B7
10	NUTS	ASTM A194 GR 2H	ASTM A194 GR 2H	ASTM A194 GR 2H	ASTM A194 GR 2H
11	LEVER	C.S	C.S	C.S	C.S



HYDRAUSTATIC TEST PRESSURE		
CLASS	BODY	SEAT
150	32 Kg./cm <sup>2</sup>	23 Kg./cm <sup>2</sup>
300	80 Kg./cm <sup>2</sup>	58 Kg./cm <sup>2</sup>
800 S/E	210 Kg./cm <sup>2</sup>	60 Kg./cm <sup>2</sup>



## DIMENSIONS OF SINGLE PIECE BALL VALVE

NB	6	15	20	25	40	50
A	65	70	70	90	105	128
H	40	43	43	50	75	83

Mfg. by  
**H.P. Valves Mfg. Co.**

7/A, Bansidhar Estate, Bardolpura, O/s Dariapur Gate, Ahmedabad- 16, INDIA

Ph : 079 - 2216 66 80, Fax : 079 - 22120945

Web Site : [www.hpvalve.com](http://www.hpvalve.com) Email : [hpvalves@icenet.net](mailto:hpvalves@icenet.net)